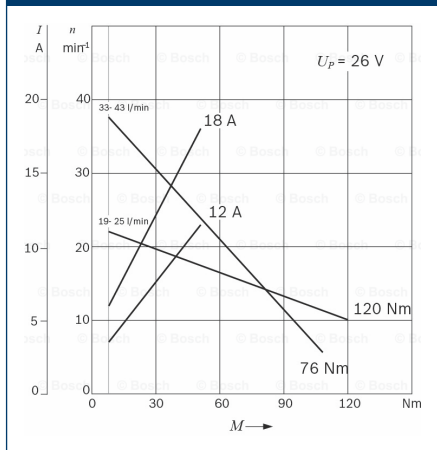


Technical data

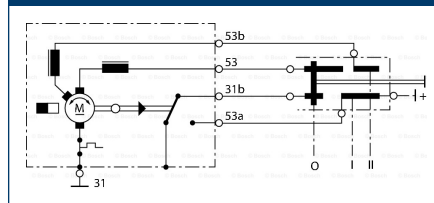
Part number	0 986 337 451
Nominal voltage	U_N 24 V
Nominal power	P_N 39 W ¹⁾
Nominal current	I_N 6 A
Maximum current	I_{max} 26 A
Nominal speed	n_N 40 min ⁻¹
Nominal torque	M_N 10 Nm
Breakaway torque	M_A 80 Nm
Reduction	i 96 : 2
Direction of rotation	Drehrichtung
gegen den Uhrzeigersinn	
Type of duty	Dauerbetrieb
Degree of protection	IP 23
Weight	5,100 kg
	310 mm
	200 mm
	177
	Connector type AMP

C-180906

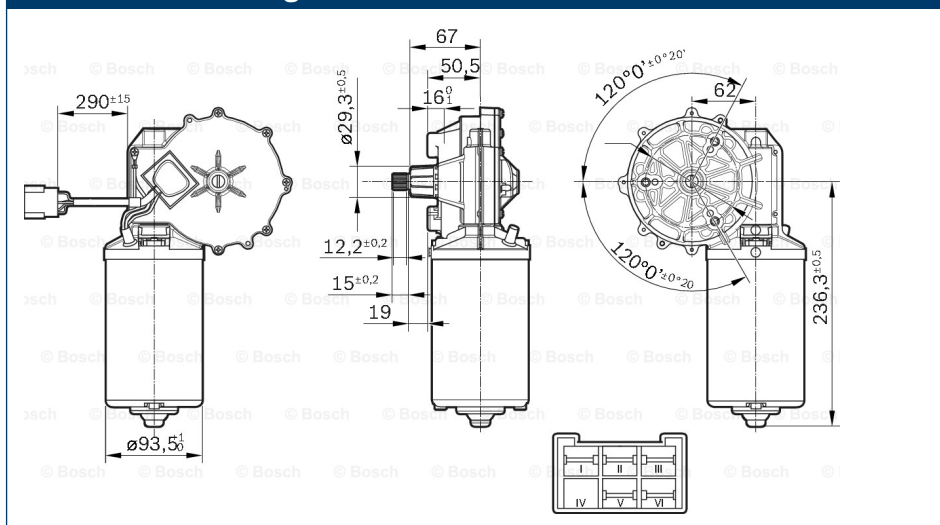
Characteristic curve



Connection diagram



Dimensional drawing



Robert Bosch GmbH
 Automotive Aftermarket
 Postfach 410960
 76225 Karlsruhe
 Germany

